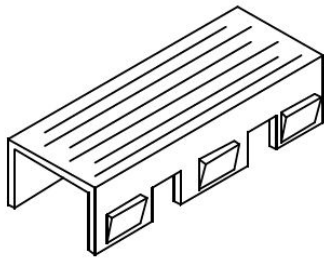
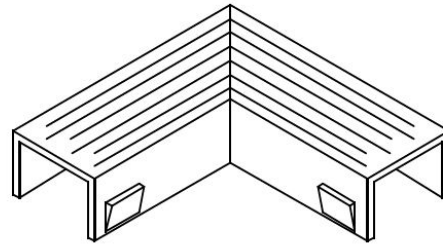


## Connection Covers

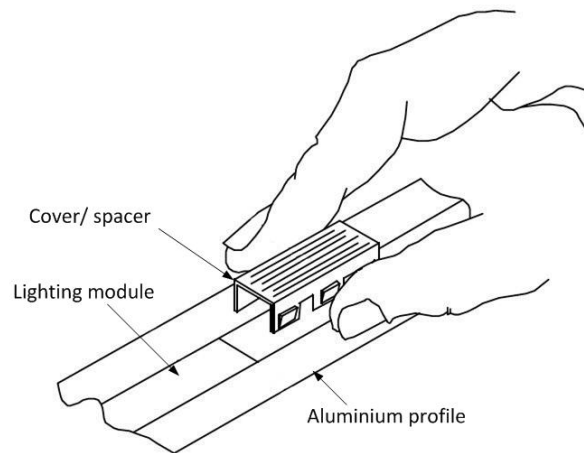
Straight or right-angled connection covers are available to clip fit in between lighting modules.



GLP/xxxx straight cover



GLP/xxxx 90deg angled cover



### Specification

Cover material	Polycarbonate	
Colour	Grey	
Product code	Description	NATO stock number NCN
GLP40	Straight spacer cover 40mm	
GLP125	Straight spacer cover 125mm	5975-99-484-3767
GLP2400	Straight spacer cover 2400mm	
GLP180	90° right angled corner 2 x 40mm	

The content of this Thomas & Betts specification sheet has been checked carefully for accuracy at the time of print. However, Thomas & Betts does not give any warranty of any kind, express or implied, in this respect and shall not be liable for any loss or damage that may result from any use or as a consequence of any inaccuracies in or any omissions from the information which it may contain. We reserve the right to modify, update products as part of our policy of continuous product development. E&OE.