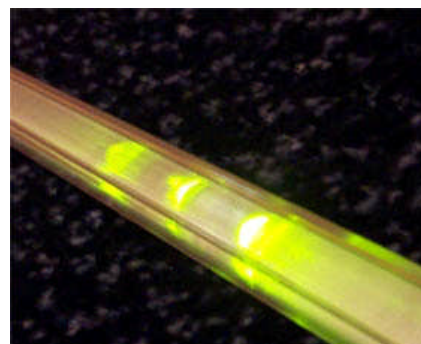


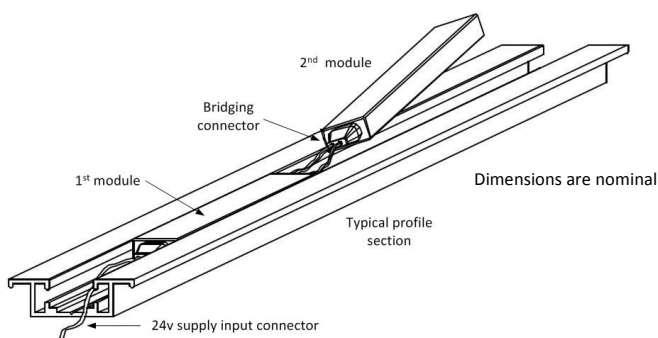
LED light modules: Way guidance

GBD*2: LED, light green module

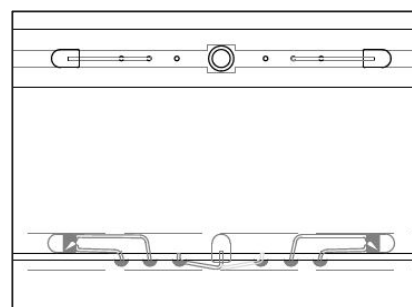
Guide-LITE GBD LED modules provide visible way guidance when mounted typically on the floor or at skirting board level. LED sets are fitted in polycarbonate sheaths. Modules plug together using a series/ parallel circuit configuration. The system can be used in conjunction with high level conventional emergency lighting.



LED appearance (not fitted in profile unit)



Module fitting to housing section



LED orientation (plan & elevation)

Specification

Input voltage	24V DC
Light source	Light green LED
Format	x 3 LED module THO
Housing material	Fire retardant polycarbonate (>850 deg C), UV stabilised
Overall length:	From 160mm to 2360mm

Product code	Description	LED set	NATO stock number
GBD2G/2	LED module, light green, 160mm	1x3	
GBD3G/2	LED module, light green, 260mm	1x3	6210-99-161-4376
GBD6G/2	LED module, light green, 560mm	2x3	6210-99-870-1651
GBD12G/2	LED module, light green, 1160mm	4x3	6210-99-503-8974
GBD18G/2	LED module, light green, 1760mm	6x3	6210-99-498-9130
GBD24G/2	LED module, light green, 2360mm	8x3	6210-99-366-5793

(Note: GBD*G/2 supersedes GBD*/2, where *=2, 3, 6, 12, 18 or 24)